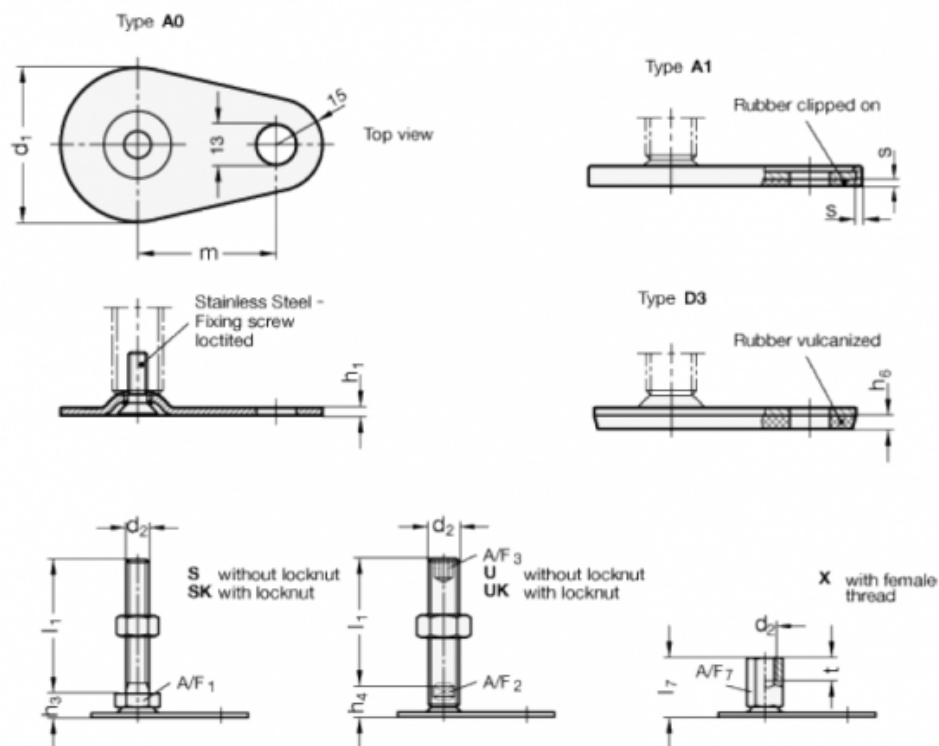


# Data Sheet



Article number: 204260M12125D3SK  
 Description: E+G levelling foot  
 GN 42-60-M12-125-D3-SK  
 Note: SK With nut, External hexagon at the bottom

## Measures



A/F1 = 17  
 d1 = 60  
 d2 = M12  
 h1 = 2.5  
 h3 = 11  
 h6 = 4.5  
 l1 = 125  
 m = 50

s =